

2024 PAPA REGIONAL TECHNICAL MEETINGS

PENNDOT QUALITY ASSURANCE ASPHALT PAVING FINDINGS



BRENT TRIVELPIECE / MARK GALLARDO

BRENT TRIVELPIECE / GARY WIREMAN

BRENT TRIVELPIECE / BILL EIBACH, P.E.



WESTERN REGIONAL MARCH 19, 2024

CENTRAL REGIONAL MARCH 20, 2024

EASTERN REGIONAL MARCH 21, 2024

NOTCHED WEDGE JOINT CONSTRUCTION



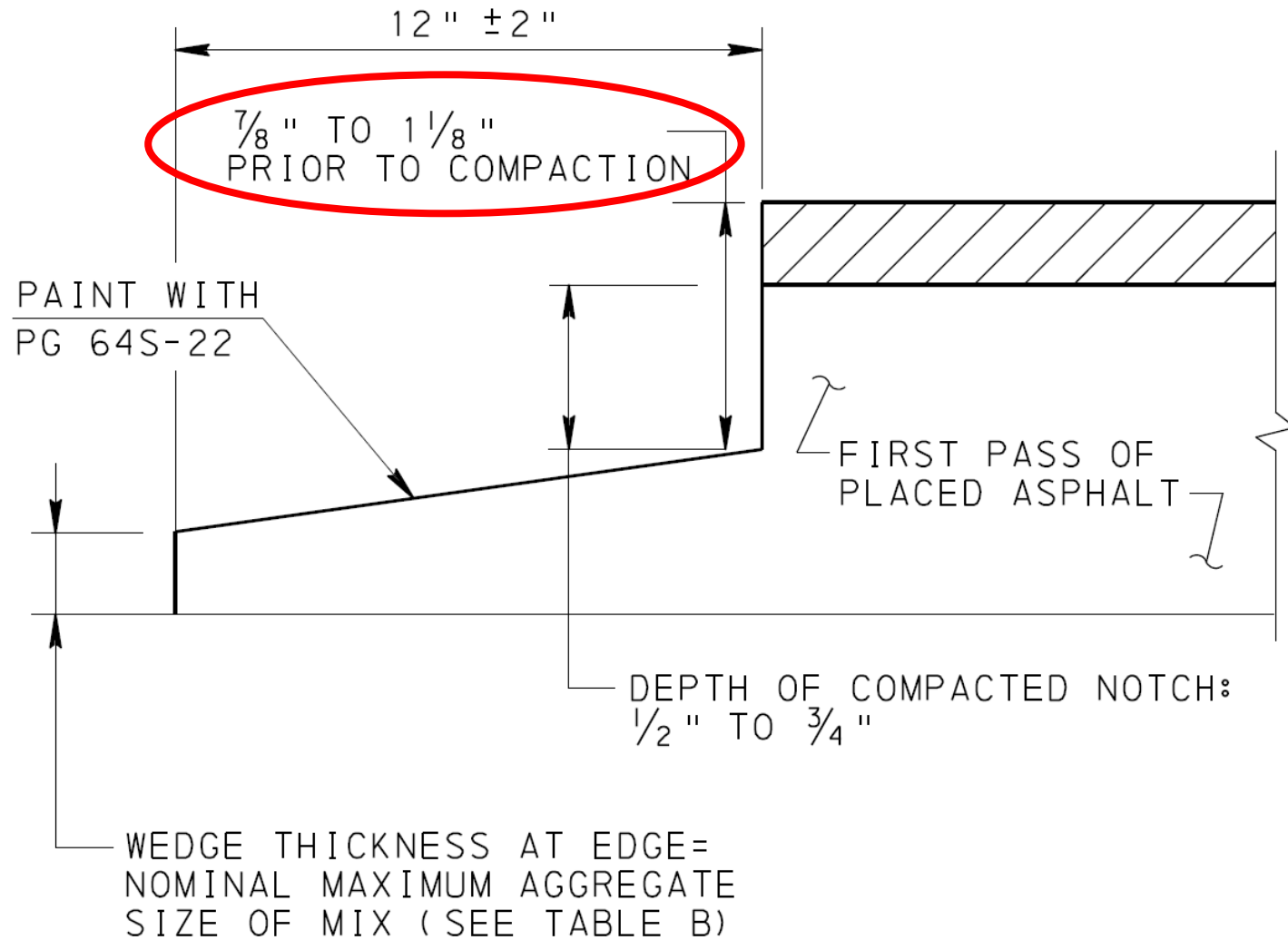
NOTCHED WEDGE JOINT CONSTRUCTION



NOTCHED WEDGE JOINT CONSTRUCTION



RC-28M LONGITUDINAL NOTCHED WEDGE JOINT



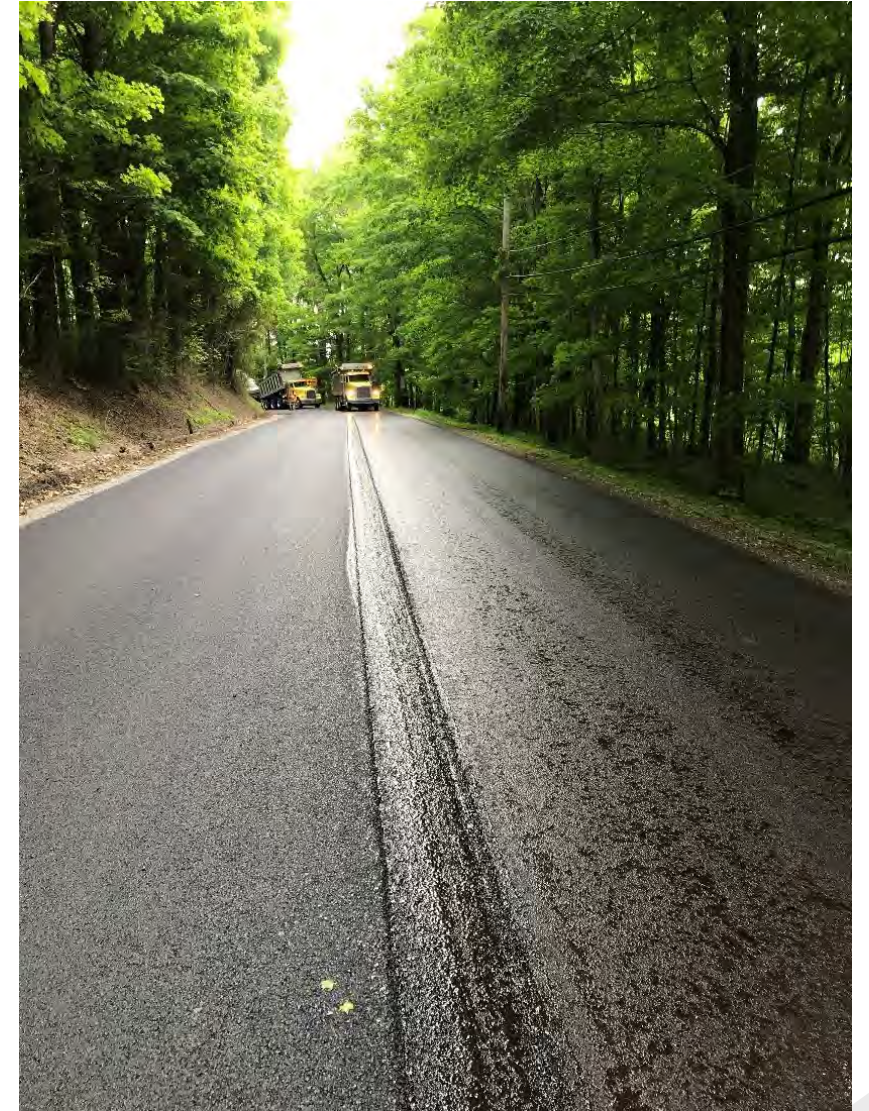
LONGITUDINAL NOTCHED WEDGE JOINT



TRUE LINE WHEN PAVING



TRUE LINE WHEN PAVING



TACK COAT APPLICATION



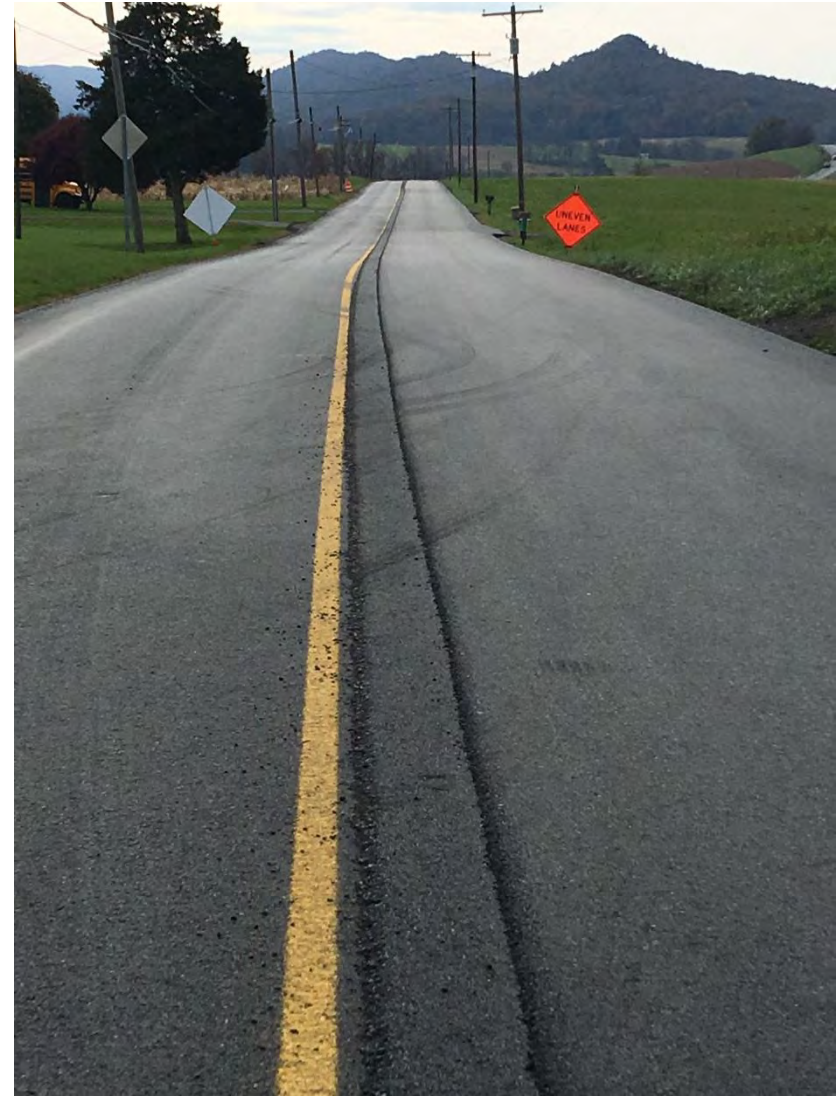
TACK COAT APPLICATION



TACK COAT APPLICATION



TACK COAT BEYOND THE LIMITS OF PAVING



TACK COAT BEYOND THE LIMITS OF PAVING



TUNNEL AND AUGER EXTENSIONS



TUNNEL AND AUGER EXTENSIONS



HOPPER INSERT



SAFETY EDGE



TRANSVERSE JOINTS



GMM VERIFICATION SAMPLES



- Gmm Verification Samples are required for federally funded projects or 100% state funded projects on the National Highway System (NHS) when density acceptance is by pavement cores
- A second loose box sample is obtained for each subplot at the same location as the mixture acceptance sample



TACK DISTRIBUTOR CALIBRATION



- Distributors are required to be calibrated annually according to PTM No. 747
- Distributor operator should be able to provide their annual calibration when requested



ASPHALT PLANT FINDINGS



- Bi-Weekly Scale Checks
- Sampling Valve for PG Binder
- Poor Loading Procedures



HOLES IN THE TRUCK BED



- This requirement has been in the specification since April 2020.
- Asphalt producers shouldn't be loading trucks that do not have holes in the truck beds when delivering material to Department projects.
- These are the terms in every PennDOT construction contract; however,.....



HOLES IN THE TRUCK BED

- The terms of the contract can only be revised via an Authorization for Contract Work in ECMS.
- Don't place a bid on a PennDOT project assuming the District will entertain another method of obtaining asphalt mixture temperatures.
 - Ask this as a prebid question in ECMS prior to placing your bid.
 - Even if the District answers the question that yes, they will entertain another method, that doesn't mean you and the District will agree on another method. Remember, **the terms of the contract require holes in the truck bed.**
 - Don't wait till the Pre-Pave meeting to negotiate another method.
 - These conversation should begin at the pre-construction meeting, and if the method doesn't include obtaining the asphalt mixture temperature before discharging into the MTV or paver hopper, it should address what will be done with the material in the hopper if it isn't within the specification temperature limits.
 - If a method is agreed upon, the IIC can create a no cost amendment to the contract revising Section 413.3(d) to the agreed terms via an Authorization for Contract Work in ECMS. Once acknowledged by the contractor, the remainder of the project will be administered in accordance with the revised terms.



Questions or Comments??

